

EDGE TRIM CRUSHER

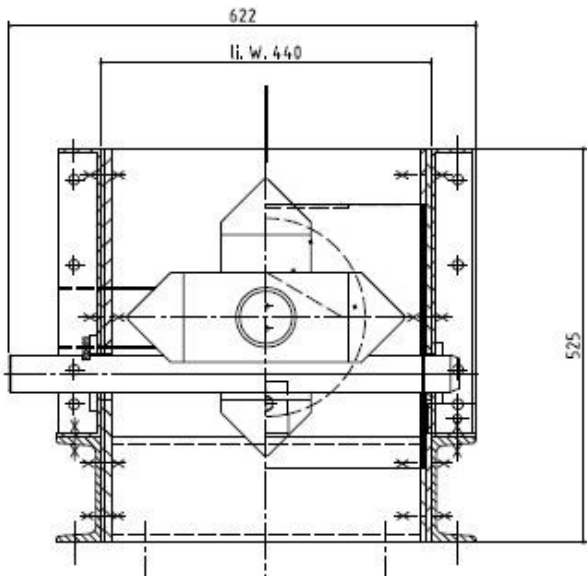
EME GmbH

Wockerather Weg 45
41812 Erkelenz
www.eme.de

Telefon: +49 2431 9618 0
Fax: +49 2431 74687
contact@eme.de

Stoltestraße 23
97816 Lohr am Main
www.eme.de

Telefon: +49 9352 507 500
Fax: +49 9352 507 193
contact@eme.de



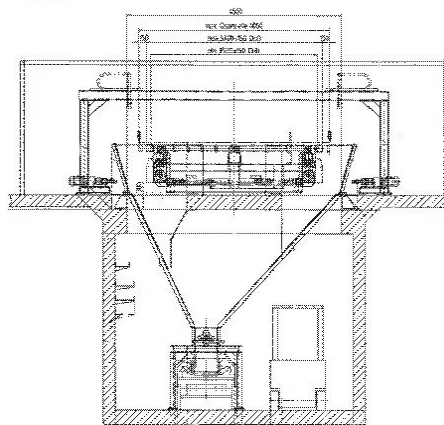
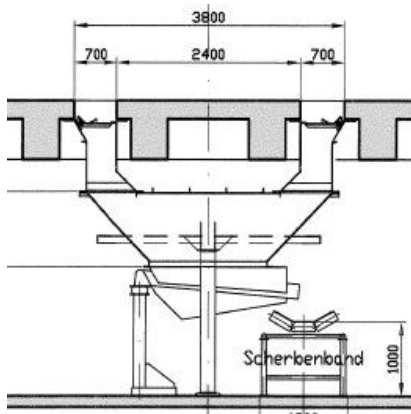
Edge Trim Crusher for Flat Glass

Due to the float production process flat glass has knurl marks of the top rollers on both edges of the glass ribbon. These edges will be cut by the longitudinal cutters and snapped on an edge trim conveyor.

The offcuts fall down on both sides of the edge trim conveyor into a collecting hopper and slide down towards the edge trim crusher, which is positioned in a pit underneath.

The crusher shaft is oriented in the mainline direction and the arriving edges will be crushed by hammers on a rotating crusher shaft.

Examples of possible Breaker Positioning below the Cutting Line for Flat Glass



OVERVIEW OF CHARACTERISTICS:

- **Crusher Shaft oriented in Mainline Direction** Crusher Tools without Ni-additive
- **Easy Access for Service and Maintenance**
- **Long Service Life of the Wearing Parts**

TECHNICAL DATA – CRUSHER

<u>Length:</u>	up to 7300 mm
<u>Glass thickness:</u>	1 - 20 mm
<u>Power:</u>	up to 7,5 kW
<u>Output:</u>	max. 30 t/h
<u>Glass width after crushing:</u>	100-200 mm
<u>Rotor type:</u>	impact head