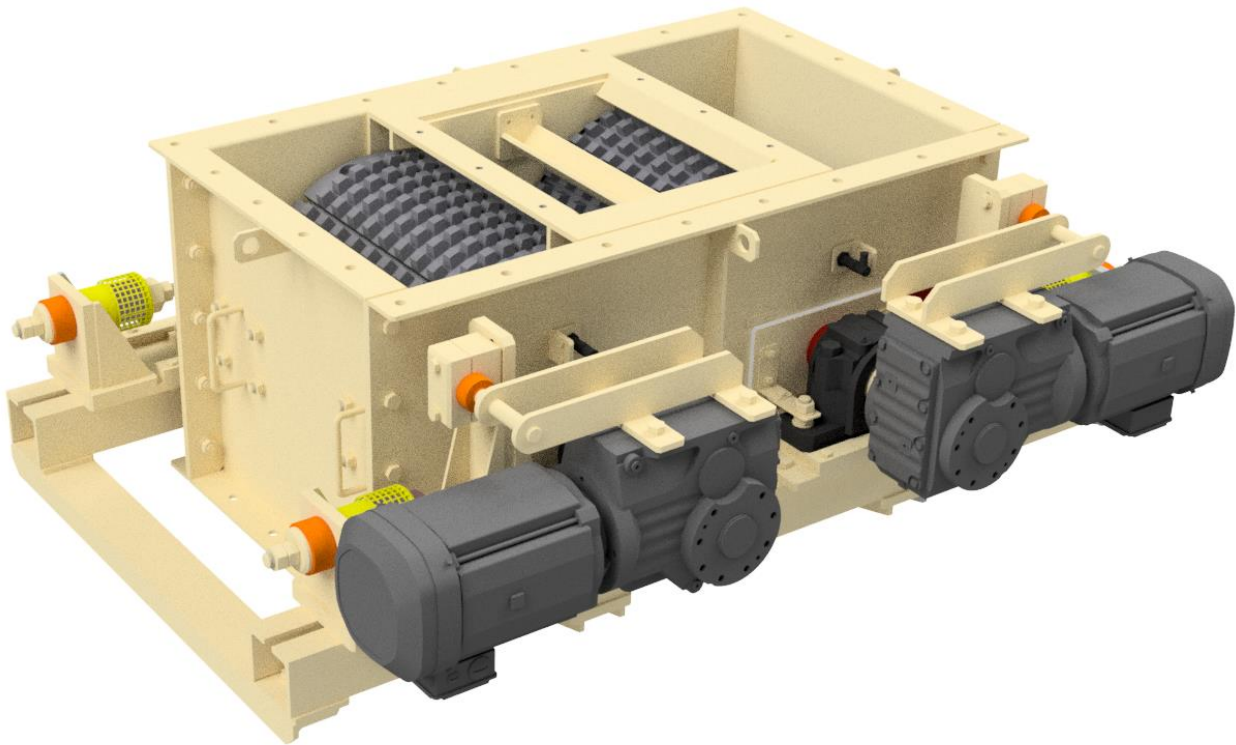


BATCH AND CULLET
TREATMENT SYSTEMS
FOR THE GLASS INDUSTRY

EME
Member of **SORG** Group



DOUBLE ROLL CRUSHER TYPE ZWB / ZWB-S

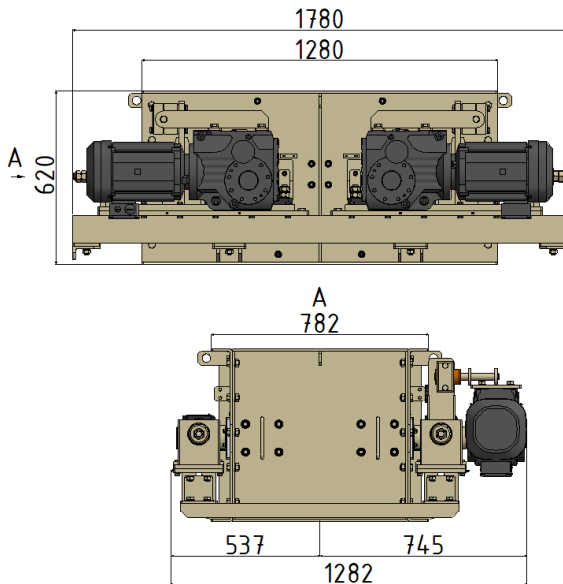
EME GmbH

Wockerather Weg 45
41812 Erkelenz
www.eme.de

Telefon: +49 2431 9618 0
Fax: +49 2431 961850
contact@eme.de

Stoltestraße 23
97816 Lohr am Main
www.eme.de

Telefon: +49 9352 507 500
Fax: +49 9352 507 193
contact@eme.de



Einlauf:	600x400 mm
Auslauf:	600x730 mm
Spaltbreite Walzen	5 – 15 mm

Double roll crusher ZWB / ZWB-S

The double roll crusher is predominately used for crushing of pre-crushed glass.

The crushing rollers of the ZWB version are provided with a special hard surface welding. The crushing rollers of the version ZWB-S are equipped with high wear-resistant, chill cast-iron spiked shells.

The slow-speed crushing roller design typically results in low noise and dust emissions. The final grain size can be adjusted by changing the crushing roller gap. The crusher is characterized by its compact design

TECHNICAL DATA

Throughput capacity	Bulk goods weight	Motor-output	Weight	
			ZWB	ZWB-S
appr. 7 t/h	0,4 t/m ³	2 x 4 kW	1380 kg	1550 kg
appr. 16 t/h	0,9 t/m ³			
appr. 19 t/h	1,1 t/m ³			
appr. 24 t/h	1,4 t/m ³			

OVERVIEW OF CHARACTERISTICS:

- **Crushing of Pre-Crushed Glass**
- **Low Space requirement**
- **Low Noise and Dust Emissionen**
- **Maintenance Friendly Design**
- **Easy Installation**

