

## EDGE TRIM CRUSHER

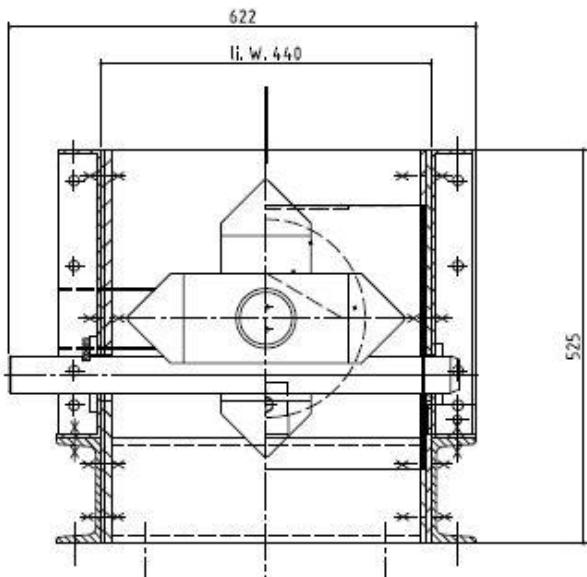
### EME GmbH

Wockerather Weg 45  
41812 Erkelenz  
[www.eme.de](http://www.eme.de)

Telefon: +49 2431 9618 0  
Fax: +49 2431 961850  
[contact@eme.de](mailto:contact@eme.de)

Stoltestraße 23  
97816 Lohr am Main  
[www.eme.de](http://www.eme.de)

Telefon: +49 9352 507 500  
Fax: +49 9352 507 193  
[contact@eme.de](mailto:contact@eme.de)



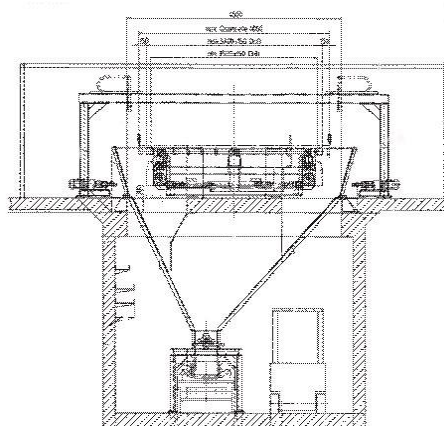
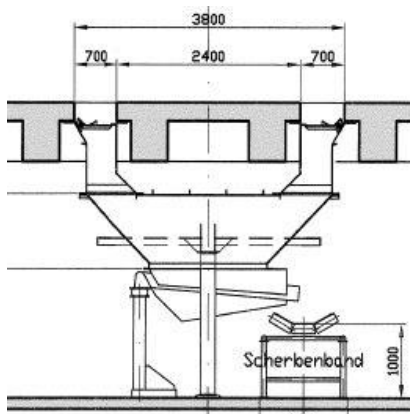
### Edge Trim Crusher for Flat Glass

Due to the float production process flat glass has knurl marks of the top rollers on both edges of the glass ribbon. These edges will be cut by the longitudinal cutters and snapped on an edge trim conveyor.

The offcuts fall down on both sides of the edge trim conveyor into a collecting hopper and slide down towards the edge trim crusher, which is positioned in a pit underneath.

The crusher shaft is oriented in the mainline

### Examples of possible Breaker Positioning below the Cutting Line for Flat Glass



### OVERVIEW OF CHARACTERISTICS:

- **Crusher Shaft oriented in Mainline Direction** Crusher Tools without Ni-additive
- **Easy Access for Service and Maintenance**
- **Long Service Life of the Wearing Parts**

### TECHNICAL DATA – CRUSHER

Length:	up to 7300 mm
Glass thickness:	1 - 20 mm
Power:	up to 7,5 kW
Output:	max. 30 t/h
Glass width after crushing:	100-200 mm
Rotary type:	impact head