



HAMMER CRUSHER, TYPE HPB

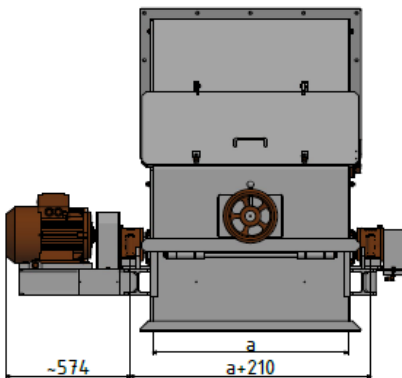
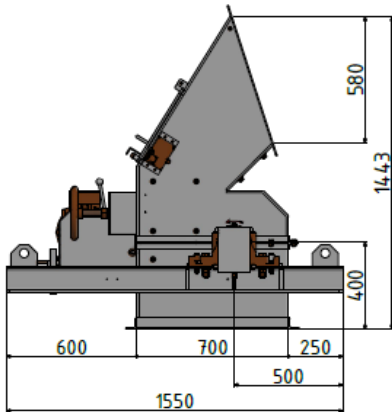
EME GmbH

Wockerather Weg 45
41812 Erkelenz
www.eme.de

Telefon: +49 2431 9618 0
Fax: +49 2431 961850
contact@eme.de

Stoltestraße 23
97816 Lohr am Main
www.eme.de

Telefon: +49 9352 507 500
Fax: +49 9352 507 193
contact@eme.de



Hammer Crusher HPB

The hammer crusher has been designed especially for crushing container glass. The crusher is used for factory cullet return systems as well as for foreign cullet recycling plants.

The rotor (with hammers in an overhung position) and crushing grate (adjustable from the outside by means of a hand wheel) together form a unit and assure a uniform grain size with minimal fine creation. The selection of the materials of the wearing parts is made taking into consideration the influence of the abrasion and the long service life requirement. Simple access to the inside

TECHNICAL DATA

Type	Output	Motor output	Dimensions	Weight
HPB 500/5	up to 5 t/h	4 kW	500 mm	1100 kg
HPB 700/15	up to 15 t/h	5,5 kW	700 mm	1250 kg
HPB 900/25	up to 25 t/h	7,5 kW	900 mm	1500 kg

OVERVIEW OF CHARACTERISTICS:

- **Compact Crusher for Crushing Container Glass**
- **Easy Access for Service and Maintenance due to Swivelling upper part of the Casing**
- **Long Service Life of the Wearing Parts due to Appropriate use of Materials**
- **Easy Assembly**

GRAIN SIZE ANALYSIS

Data in %

>16 mm	>10 mm	> 5 mm	< 5 mm
60,7	31,4	6,8	1,1
48,8	40,1	9,1	2,0
68,1	27,8	3,4	0,7
51,1	39,2	8,2	1,5
61,0	33,4	4,2	1,4
59,7	35,7	3,8	0,8
62,4	33,7	3,2	0,7
∅ 58,8	34,5	5,5	1,2