

WINCH CRUSHER

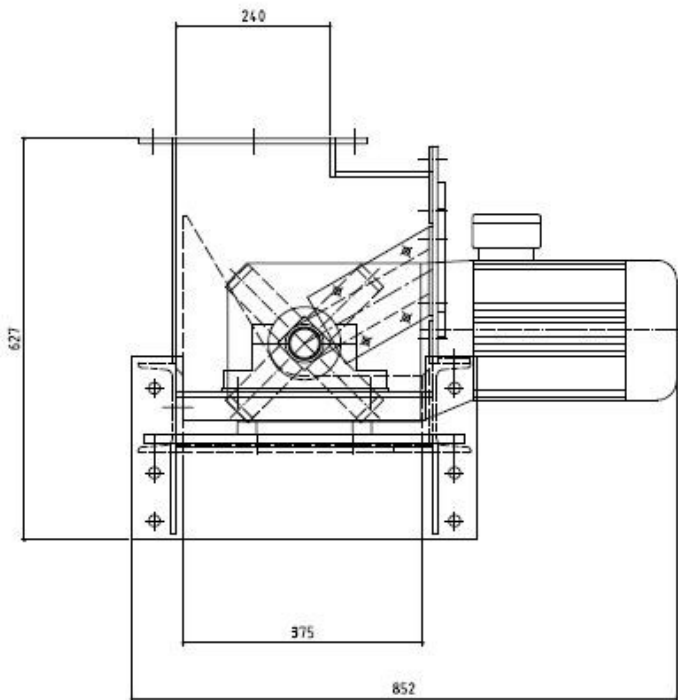
EME GmbH

Wockerather Weg 45
41812 Erkelenz
www.eme.de

Telefon: +49 2431 9618 0
Fax: +49 2431 74687
contact@eme.de

Stoltestraße 23
97816 Lohr am Main
www.eme.de

Telefon: +49 9352 507 500
Fax: +49 9352 507 193
contact@eme.de



Winch Crusher for Flat Glass

The Winch Crusher is used for crushing thin, narrow glass strips.

The Winch crusher is loaded from above. It is a robust welded construction with appropriate stiffeners. The grate breaking edges as well as the beating edges of the rotor are finished with a special hard surface welding.

OVERVIEW OF CHARACTERISTICS:

- **Thin Glass Crusher**
- **Simple Construction**
- **Easy Installation**
- **Good Accessibility**

TECHNICAL DATA – CRUSHER

<u>Length:</u>	1400 mm
<u>Glass thickness:</u>	up to 6 mm
<u>Power:</u>	up to 3,0 kW
<u>Output:</u>	max. 20 t/h
<u>Glass width after crushing:</u>	appr 50-100mm
<u>Rotor type:</u>	star